

# Solid Bottom Tray KW

93

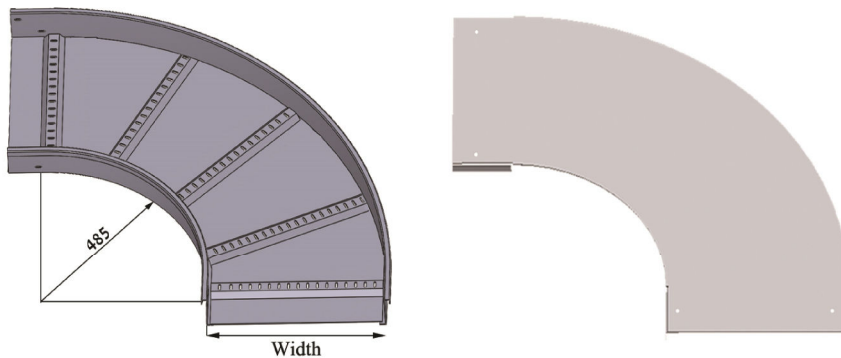
Material: Hot Dip Galvanized I.S 918 (H.D.G.A.F) Standard: Din 17100 ST 37.2 3 [mm]

## Horizontal Bend

Tray: Din 17100 ST 37.2

Model	R <sub>mm</sub>	Price ₪
BKW - 100	300	229
BKW - 200	300	236
BKW - 300	300	243
BKW - 400	600	252
BKW - 500	600	270
BKW - 600	600	297
BKW - 700	600	317
BKW - 800	600	339
BKW - 900	600	354
BKW -1000	600	375

Galvanized 3mm



Customize radius is available by request  
Width apply to horizontal bend model [mm]

Cover: EN-10346 G-275

Model	Price ₪
CBKW - 100	98
CBKW - 200	112
CBKW - 300	136
CBKW - 400	191
CBKW - 500	201
CBKW - 600	228
CBKW - 700	264
CBKW - 800	284
CBKW - 900	306
CBKW -1000	325

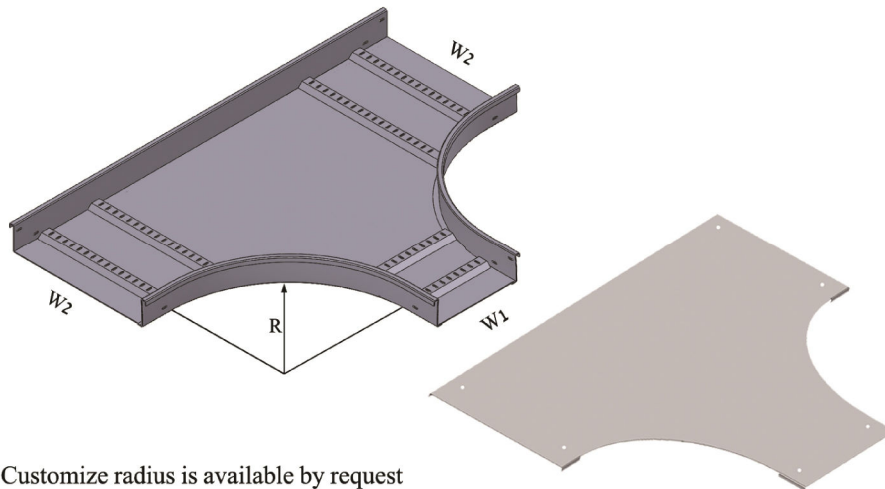
Galvanized 1.2mm

## T Branch

Tray: Din 17100 ST 37.2

Model	R <sub>mm</sub>	Price ₪
TKW - 100	300	303
TKW - 200	300	313
TKW - 300	300	329
TKW - 400	600	345
TKW - 500	600	385
TKW - 600	600	400
TKW - 700	600	437
TKW - 800	600	448
TKW - 900	600	481
TKW -1000	600	500

Galvanized 3mm



Customize radius is available by request  
Specify W1 & W2 measurements [mm]

Cover: EN-10346 G-275

Model	Price ₪
CTKW - 100	225
CTKW - 200	242
CTKW - 300	261
CTKW - 400	295
CTKW - 500	318
CTKW - 600	346
CTKW - 700	373
CTKW - 800	406
CTKW - 900	437
CTKW -1000	480

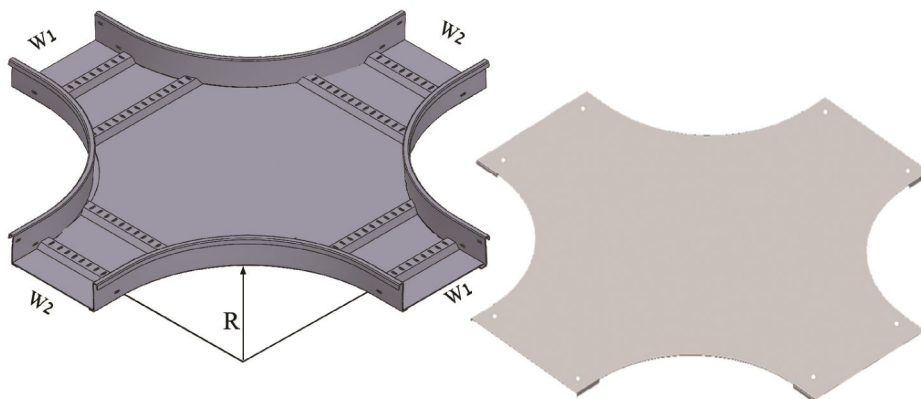
Galvanized 1.2mm

## Cross Over X

Tray: Din 17100 ST 37.2

Model	R <sub>mm</sub>	Price ₪
XKW - 100	300	448
XKW - 200	300	458
XKW - 300	300	481
XKW - 400	600	505
XKW - 500	600	577
XKW - 600	600	599
XKW - 700	600	622
XKW - 800	600	678
XKW - 900	600	701
XKW -1000	600	725

Galvanized 3mm



Customize radius is available by request  
Specify W1 & W2 measurements [mm]

Cover: EN-10346 G-275

Model	Price ₪
CXKW - 100	315
CXKW - 200	338
CXKW - 300	365
CXKW - 400	413
CXKW - 500	445
CXKW - 600	484
CXKW - 700	522
CXKW - 800	568
CXKW - 900	611
CXKW -1000	672

Galvanized 1.2mm



04-8411142 , 04-8414834 04-8414528

www.naor.co.il naor\_ltd@netvision.net.il

Copyright © all rights reserved Naor L.T.D

