

# Solid Bottom Tray Type KH

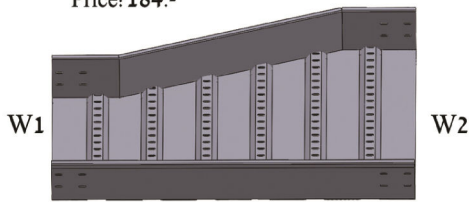
150

Material: Hot Dip Galvanized I.S 918 (H.D.G.A.F) Standard: Din 17100 ST 37.2 3 [mm]

## Left Hand Reducer

LKH W1W2

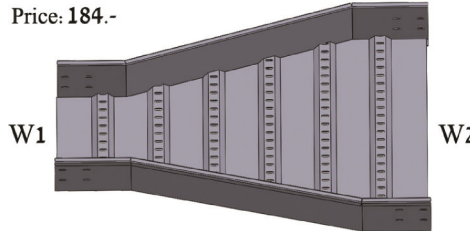
Price: 184.-



## Symmetrical Reducer

SKH W1W2

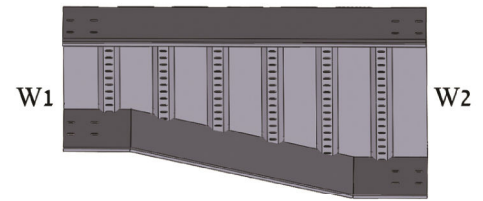
Price: 184.-



## Right Hand Reducer

RKH W1W2

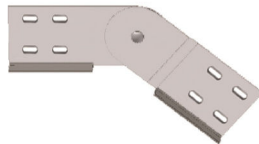
Price: 184.-



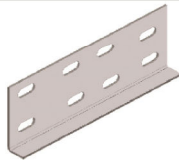
Specify W1 & W2 measurements [mm]



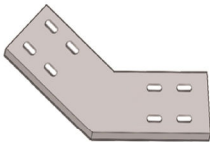
Divider  
DKH-100 Price: 28.- / m



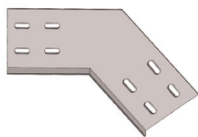
Pivot Connector  
VKH-120 Price: 34.-



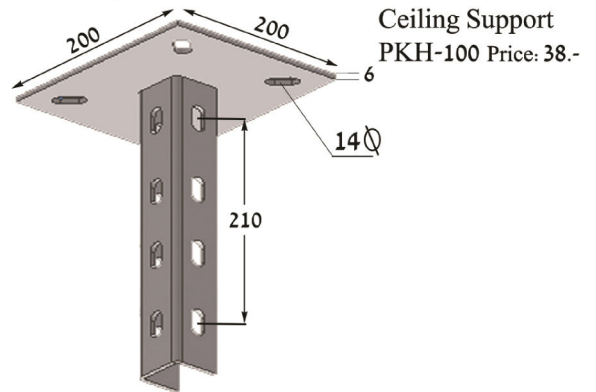
Straight Connector  
CKH-120 Price: 6.-



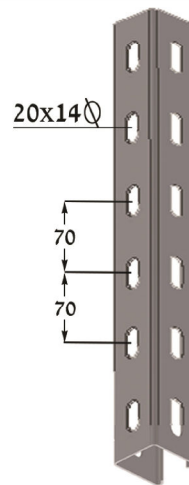
Internal Connector  
CIKH-45 Price: 25.-



External Connector  
CEKH-45 Price: 25.-

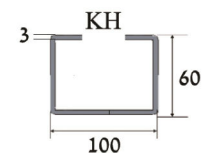


Ceiling Support  
PKH-100 Price: 38.-

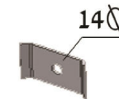
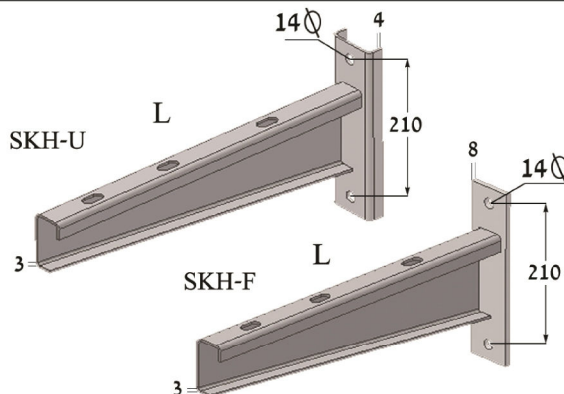


Channel Support  
RKH-100 Price: 66.- / m  
\*Length Supply 3m

Side Profile



Model	L	Price ₪
SKH-U/F-400	450	69
SKH-U/F-500	550	74
SKH-U/F-600	650	79
SKH-U/F-700	750	85
SKH-U/F-800	850	90
SKH-U/F-900	950	98
SKH-U/F-1000	1050	106



Attachment Plate  
FKH-80 Price: 3.80.-



Ladder Support Connector  
ST-50 Price: 2.-



B-25 Galvanized Bolt 3/8x25 Price: 0.75.-

B-25-N Stainless Steel Bolt 3/8x25 Price: 3.20.-



☎ 04-8411142 , 04-8414834

☎ 04-8414528

🌐 www.naor.co.il

✉ naor\_ltd@netvision.net.il

Copyright © all rights reserved Naor L.T.D



THE STANDARDS INSTITUTION OF ISRAEL