

Solid Bottom Tray Type KH

150

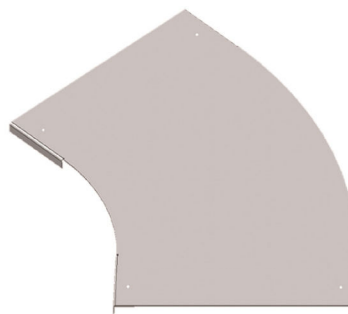
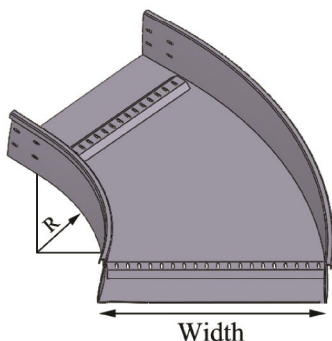
Material: Hot Dip Galvanized I.S 918 (H.D.G.A.F) Standard: Din 17100 ST 37.2 3 [mm]

Horizontal Bend - 45

Tray: Din 17100 ST 37.2

Model	R _{mm}	Price ₪
BKH 45 - 400	600	237
BKH 45 - 500	600	243
BKH 45 - 600	600	263
BKH 45 - 700	600	284
BKH 45 - 800	600	291
BKH 45 - 900	600	338
BKH 45-1000	600	351

Galvanized 3mm



Cover: EN-10346 G-275

Model	Price ₪
CBKH 45-400	138
CBKH 45-500	150
CBKH 45-600	169
CBKH 45-700	194
CBKH 45-800	208
CBKH 45-900	224
CBKH 45-1000	237

Galvanized 1.5mm

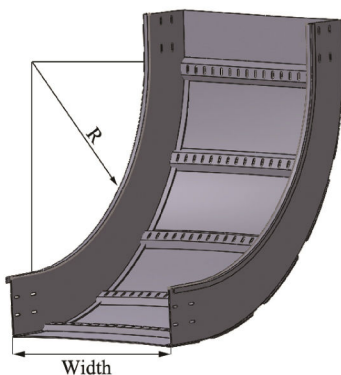
Customize radius is available by request
Width apply to horizontal bend model [mm]

Vertical Internal Bend

Tray: Din 17100 ST 37.2

Model	R _{mm}	Price ₪
IKH - 400	600	341
IKH - 500	600	349
IKH - 600	600	375
IKH - 700	600	402
IKH - 800	600	419
IKH - 900	600	484
IKH -1000	600	501

Galvanized 3mm



Cover: EN-10346 G-275

Model	Price ₪
CIKH - 400	98
CIKH - 500	104
CIKH - 600	122
CIKH - 700	135
CIKH - 800	146
CIKH - 900	158
CIKH - 1000	165

Galvanized 1.5mm

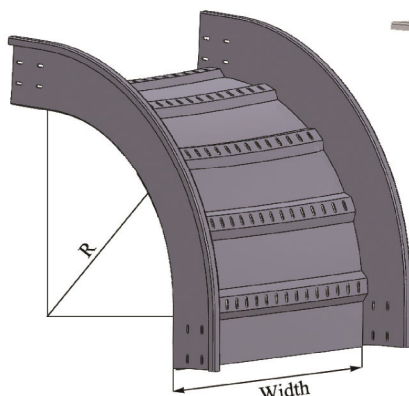
Customize radius is available by request
Width apply to model reference number [mm]

Vertical External Bend

Tray: Din 17100 ST 37.2

Model	R _{mm}	Price ₪
EKH - 400	600	341
EKH - 500	600	349
EKH - 600	600	375
EKH - 700	600	402
EKH - 800	600	419
EKH - 900	600	484
EKH -1000	600	501

Galvanized 3mm



Cover: EN-10346 G-275

Model	Price ₪
CEKH - 400	98
CEKH - 500	104
CEKH - 600	122
CEKH - 700	135
CEKH - 800	146
CEKH - 900	158
CEKH -1000	165

Galvanized 1.5mm

Customize radius is available by request
Width apply to model reference number [mm]



04-8411142, 04-8414834 04-8414528

www.naor.co.il

naor_ltd@netvision.net.il

Copyright © all rights reserved Naor L.T.D

