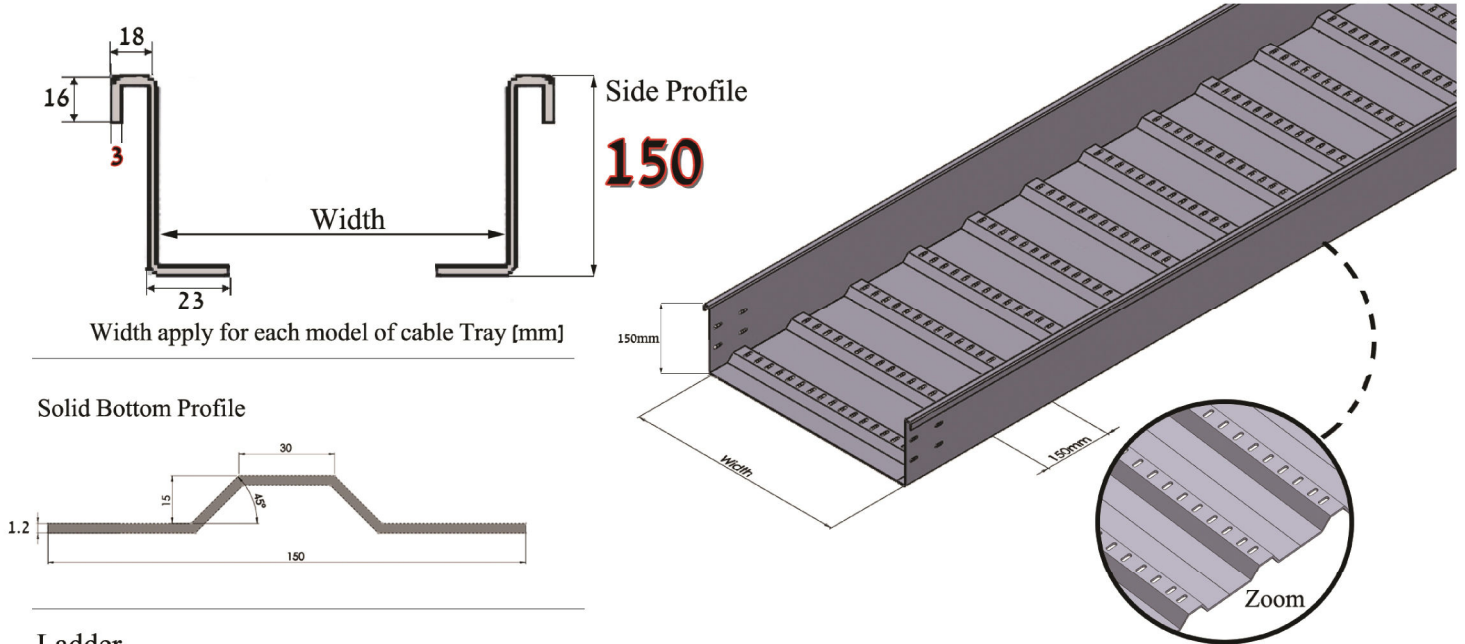


Solid Bottom Tray Type KH

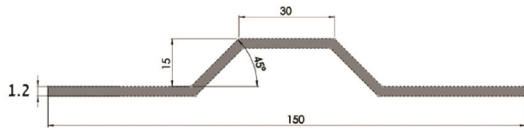
150

Material: Hot Dip Galvanized I.S 918 (H.D.G.A.F) Standard: Din 17100 ST 37.2 3 [mm]



Width apply for each model of cable Tray [mm]

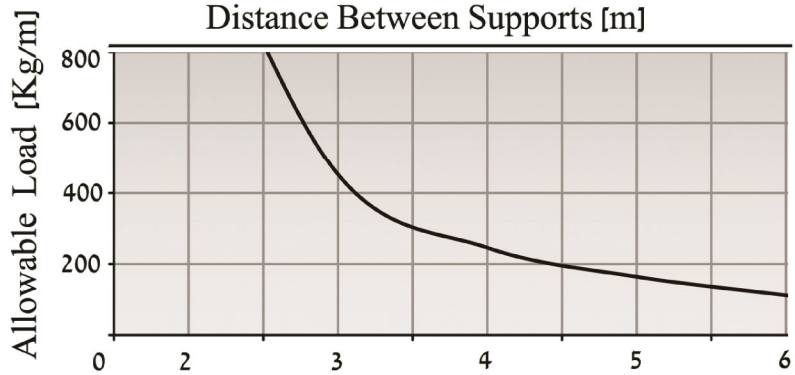
Solid Bottom Profile



Ladder

Supply Length 6000 / 3000 [mm]

Model	Width [mm]	Price ₪/m
KH - 400	400	175
KH - 500	500	184
KH - 600	600	194
KH - 700	700	211
KH - 800	800	216
KH - 900	900	252
KH - 1000	1000	259



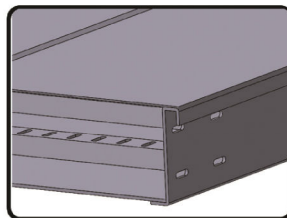
Tray must be anchor supported to structure

Cover: Galvanized 1.5 [mm]

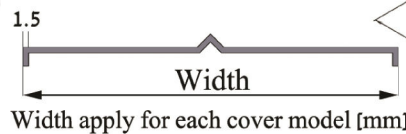
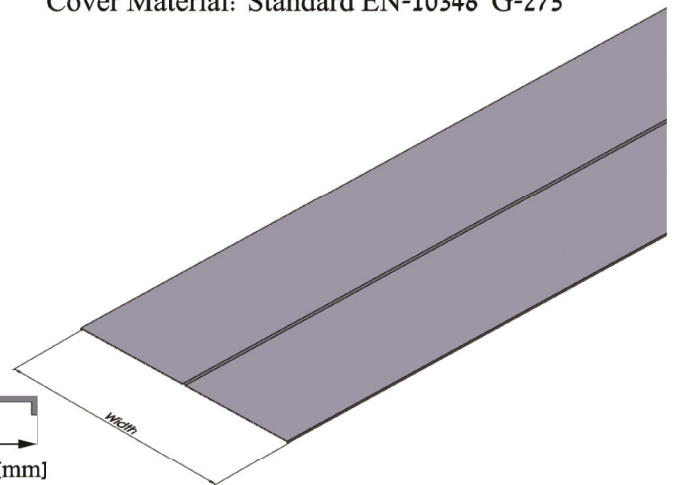
Supply Length 1500 / 3000 [mm]

Model	Width [mm]	Price ₪/m
CKH - 400	440	85
CKH - 500	540	94
CKH - 600	640	101
CKH - 700	740	112
CKH - 800	840	124
CKH - 900	940	131
CKH - 1000	1040	145

Assembly Tray & Cover + Attachment



Cover Material: Standard EN-10346 G-275



Width apply for each cover model [mm]



04-8411142, 04-8414834 04-8414528

www.naor.co.il naor_ltd@netvision.net.il

Copyright © all rights reserved Naor L.T.D

