

# Cable Ladder Type N

63

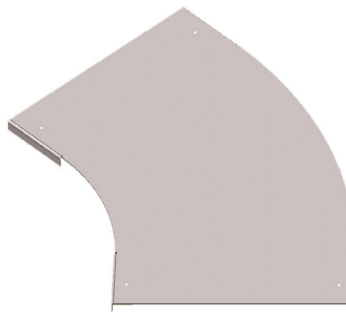
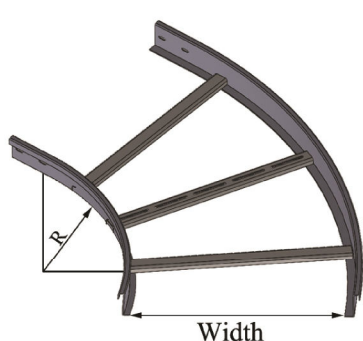
Material: Hot Dip Galvanized I.S 918 (H.D.G.A.F) Standard: Din 17100 ST 37.2 2.5 [mm]

## Horizontal Bend - 45

Ladder: Din 17100 ST37.2

Model	Price ₪
BN 45-100	113
BN 45-200	124
BN 45-300	129
BN 45-400	134
BN 45-500	140
BN 45-600	144

Galvanized 2.5mm



Cover: EN-10346 G-275

Model	Price ₪
CBN 45 - 100	68
CBN 45 - 200	78
CBN 45 - 300	95
CBN 45 - 400	126
CBN 45 - 500	132
CBN 45 - 600	135

Galvanized 1.2mm

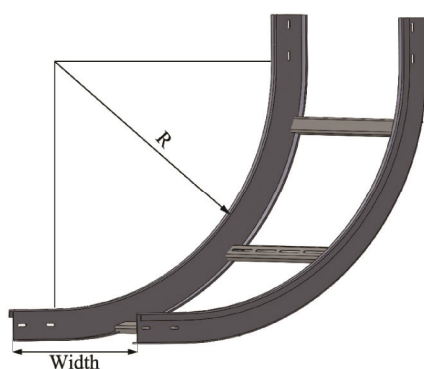
Customize radius is available by request  
Width apply to model reference number [mm]

## Vertical Internal Bend

Ladder: Din 17100 ST37.2

Model	R	Price ₪
IN - 100	300	163
IN - 200	300	178
IN - 300	300	185
IN - 400	300	192
IN - 500	300	200
IN - 600	300	207

Galvanized 2.5mm



Cover: EN-10346 G-275

Model	Price ₪
CIN - 100	65
CIN - 200	75
CIN - 300	79
CIN - 400	84
CIN - 500	87
CIN - 600	96

Galvanized 1.2mm

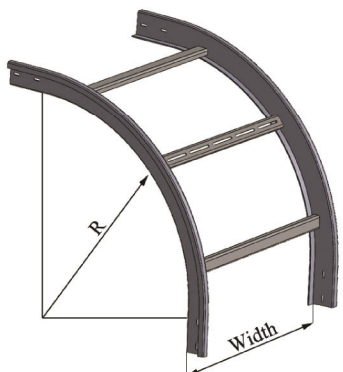
Customize radius is available by request  
Width apply to model reference number [mm]

## Vertical External Bend

Ladder: Din 17100 ST37.2

Model	R	Price ₪
EN - 100	300	163
EN - 200	300	178
EN - 300	300	185
EN - 400	300	192
EN - 500	300	200
EN - 600	300	207

Galvanized 2.5mm



Cover: EN-10346 G-275

Model	Price ₪
CEN - 100	65
CEN - 200	75
CEN - 300	79
CEN - 400	84
CEN - 500	87
CEN - 600	96

Galvanized 1.2mm

Customize radius is available by request  
Width apply to model reference number [mm]



☎ 04-8411142 , 04-8414834

☎ 04-8414528

🌐 www.naor.co.il

✉ naor\_ltd@netvision.net.il

Copyright © all rights reserved Naor L.T.D



THE STANDARDS INSTITUTION OF ISRAEL