

Cable Ladder Type W

93

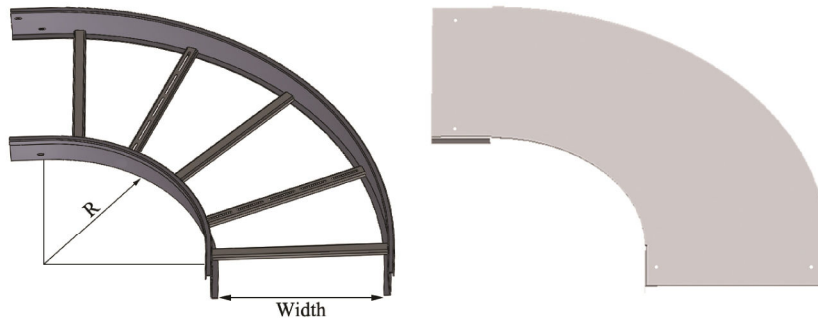
Material: Hot Dip Galvanized I.S 918 (H.D.G.A.F) Standard: Din 17100 ST 37.2 3 [mm]

Horizontal Bend

Ladder: Din 17100 ST37.2

Model	R _{mm}	Price ₪
BW - 100	300	191
BW - 200	300	197
BW - 300	300	202
BW - 400	600	210
BW - 500	600	225
BW - 600	600	247
BW - 700	600	264
BW - 800	600	282
BW - 900	600	295
BW - 1000	600	312

Galvanized 3mm



Customize radius is available by request
Width apply to horizontal bend model [mm]

Cover: EN-10346 G-275

Model	Price ₪
CBW - 100	98
CBW - 200	112
CBW - 300	136
CBW - 400	191
CBW - 500	201
CBW - 600	228
CBW - 700	264
CBW - 800	284
CBW - 900	306
CBW - 1000	325

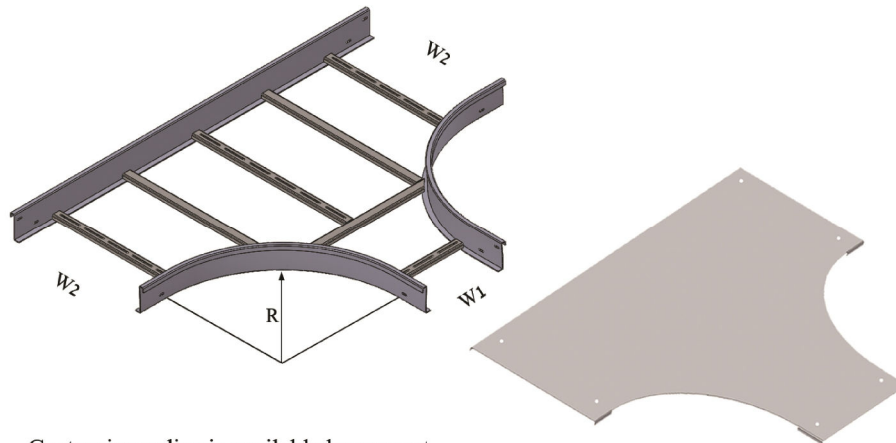
Galvanized 1.2mm

T Branch

Ladder: Din 17100 ST37.2

Model	R _{mm}	Price ₪
TW - 100	300	252
TW - 200	300	261
TW - 300	300	274
TW - 400	600	287
TW - 500	600	321
TW - 600	600	334
TW - 700	600	364
TW - 800	600	373
TW - 900	600	401
TW - 1000	600	417

Galvanized 3mm



Customize radius is available by request
Specify W1 & W2 measurements [mm]

Cover: EN-10346 G-275

Model	Price ₪
CTW - 100	225
CTW - 200	242
CTW - 300	261
CTW - 400	295
CTW - 500	318
CTW - 600	346
CTW - 700	373
CTW - 800	406
CTW - 900	437
CTW - 1000	480

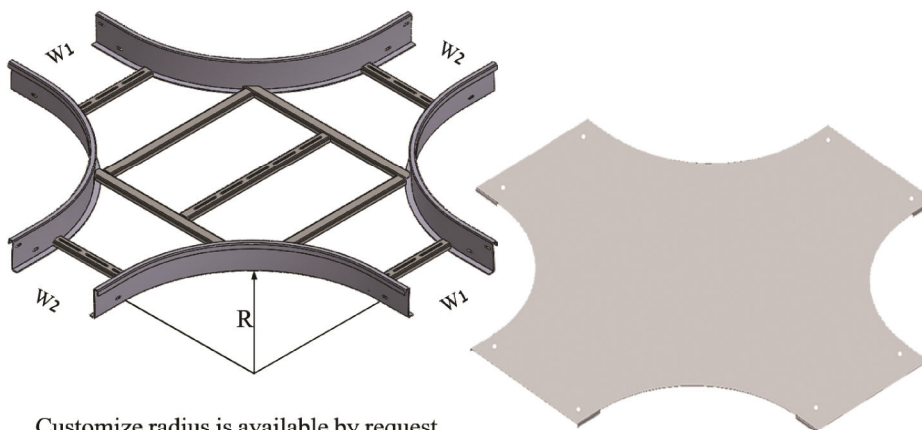
Galvanized 1.2mm

Cross Over X

Ladder: Din 17100 ST37.2

Model	R _{mm}	Price ₪
XW - 100	300	373
XW - 200	300	382
XW - 300	300	401
XW - 400	600	421
XW - 500	600	481
XW - 600	600	499
XW - 700	600	518
XW - 800	600	565
XW - 900	600	584
XW - 1000	600	604

Galvanized 3mm



Customize radius is available by request
Specify W1 & W2 measurements [mm]

Cover: EN-10346 G-275

Model	Price ₪
CXW - 100	315
CXW - 200	338
CXW - 300	365
CXW - 400	413
CXW - 500	445
CXW - 600	484
CXW - 700	522
CXW - 800	568
CXW - 900	611
CXW - 1000	672

Galvanized 1.2mm



04-8411142, 04-8414834

04-8414528

www.naor.co.il

naor_ltd@netvision.net.il

Copyright © all rights reserved Naor L.T.D

