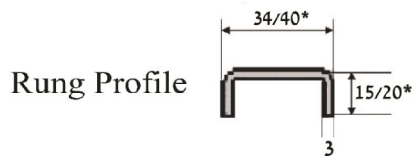
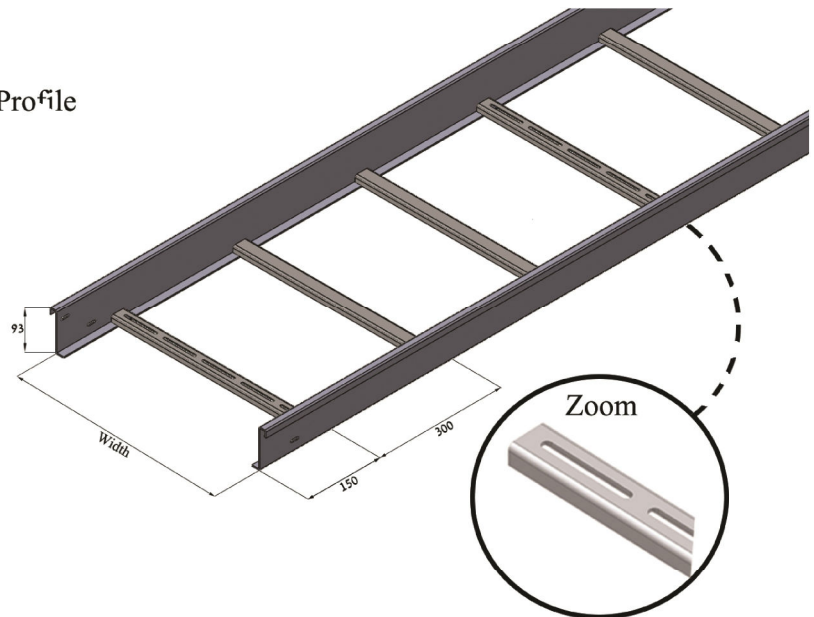
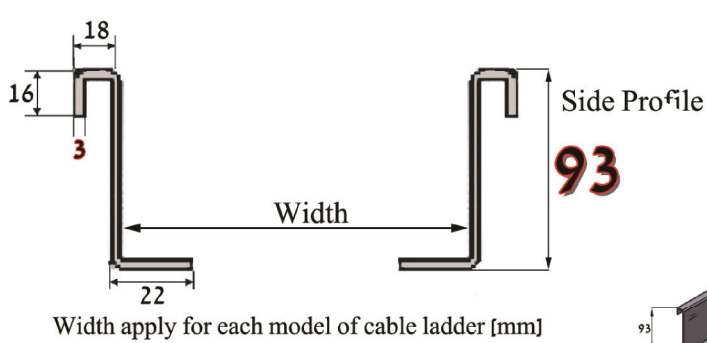


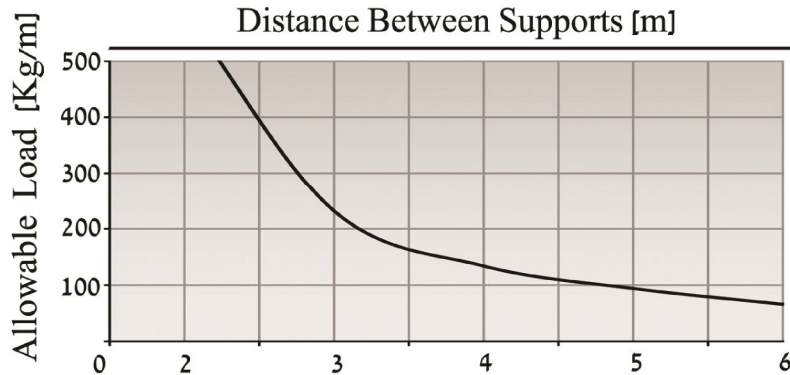
Material: Hot Dip Galvanized I.S 918 (H.D.G.A.F) Standard: Din 17100 ST 37.2 3 [mm]



### Ladder

Supply Length 6000 / 3000 [mm]

Model	Width [mm]	Price ₪/m
W - 100	100	92
W - 200	200	96
W - 300	300	101
W - 400	400	104
W - 500	500	111
W - 600	600	121
W - 700	700	130
W - 800*	800	134
W - 900*	900	150
W - 1000*	1000	169



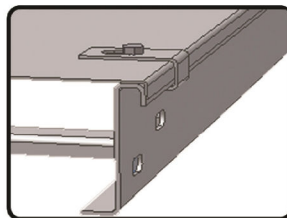
Ladder must be anchor supported to structure

Cover: Galvanized 1.2 [mm]

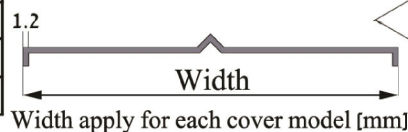
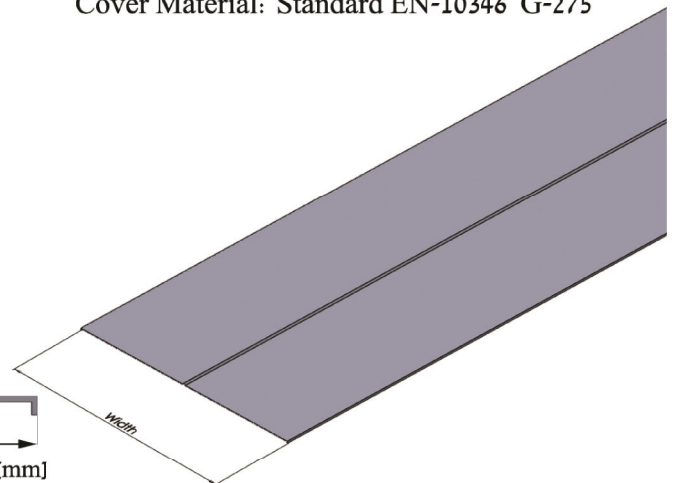
Supply Length 1500 / 3000 [mm]

Model	Width [mm]	Price ₪/m
CW - 100	144	42
CW - 200	244	53
CW - 300	344	62
CW - 400	444	76
CW - 500	544	85
CW - 600	644	94
CW - 700	744	101
CW - 800	844	112
CW - 900	944	124
CW - 1000	1044	131

Assembly Ladder & Cover + Attachment



Cover Material: Standard EN-10346 G-275



04-8411142 , 04-8414834 04-8414528

www.naor.co.il naor\_ltd@netvision.net.il

Copyright © all rights reserved Naor L.T.D

