

Cable Ladder Type M

88

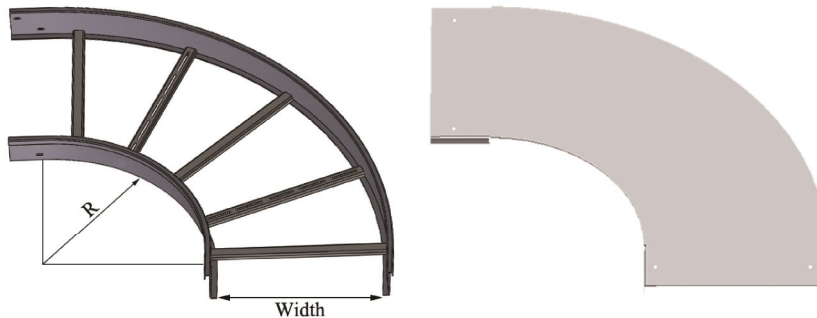
Material: Hot Dip Galvanized I.S 918 (H.D.G.A.F) Standard: Din 17100 ST 37.2 2 [mm]

Horizontal Bend

Ladder: Din 17100 ST37.2

Model	R _{mm}	Price ₪
BM - 95	300	147
BM - 195	300	166
BM - 295	300	171
BM - 395	300	174
BM - 495	300	186
BM - 595	300	197

Galvanized 2mm



Customize radius is available by request
Width apply to horizontal bend model [mm]

Cover: EN-10346 G-275

Model	Price ₪
CBM - 95	88
CBM - 195	100
CBM - 295	122
CBM - 395	162
CBM - 495	170
CBM - 595	174

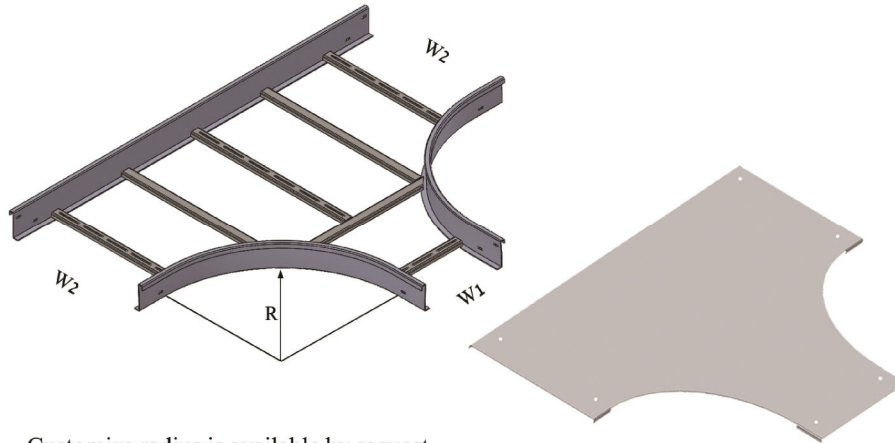
Galvanized 1.2mm

T Branch

Ladder: Din 17100 ST37.2

Model	R _{mm}	Price ₪
TM - 95	300	218
TM - 195	300	226
TM - 295	300	233
TM - 395	300	242
TM - 495	300	272
TM - 595	300	282

Galvanized 2mm



Customize radius is available by request
Specify W1 & W2 measurements [mm]

Cover: EN-10346 G-275

Model	Price ₪
CTM - 95	203
CTM - 195	219
CTM - 295	246
CTM - 395	267
CTM - 495	281
CTM - 595	292

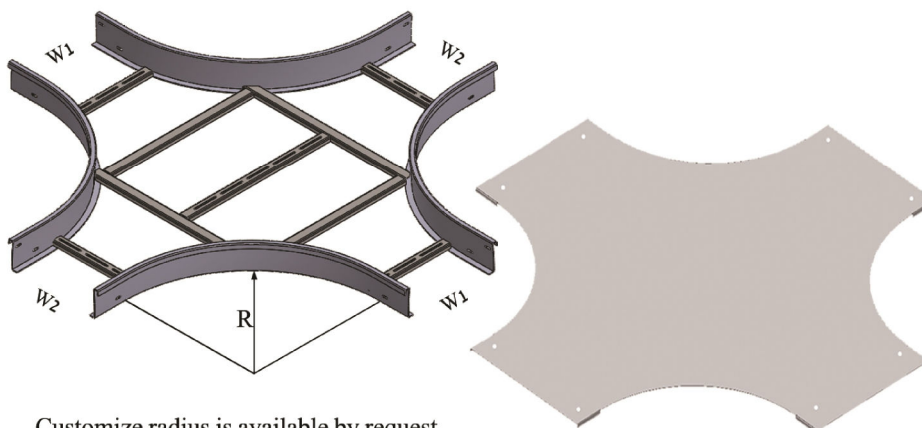
Galvanized 1.2mm

Cross Over X

Ladder: Din 17100 ST37.2

Model	R _{mm}	Price ₪
XM - 95	300	318
XM - 195	300	324
XM - 295	300	338
XM - 395	300	357
XM - 495	300	368
XM - 595	300	375

Galvanized 2mm



Customize radius is available by request
Specify W1 & W2 measurements [mm]

Cover: EN-10346 G-275

Model	Price ₪
CXM - 195	267
CXM - 195	287
CXM - 295	310
CXM - 395	318
CXM - 495	325
CXM - 595	342

Galvanized 1.2mm



☎ 04-8411142, 04-8414834

☎ 04-8414528

🌐 www.naor.co.il

✉ naor_ltd@netvision.net.il

Copyright © all rights reserved Naor L.T.D

- 21 -

