

Cable Ladder Type D

110

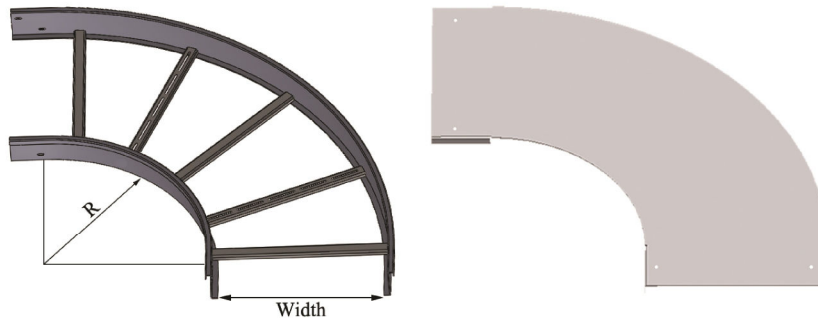
Material: Hot Dip Galvanized I.S 918 (H.D.G.A.F) Standard: Din 17100 ST 37.2 2 [mm]

Horizontal Bend

Ladder: Din 17100 ST37.2

Model	R _{mm}	Price ₪
BD - 200	300	187
BD - 300	300	191
BD - 400	300	199
BD - 500	300	213
BD - 600	300	234
BD - 700	300	250

Galvanized 2mm



Cover: EN-10346 G-275

Model	Price ₪
CBD - 200	112
CBD - 300	136
CBD - 400	180
CBD - 500	189
CBD - 600	194
CBD - 700	215

Galvanized 1.2mm

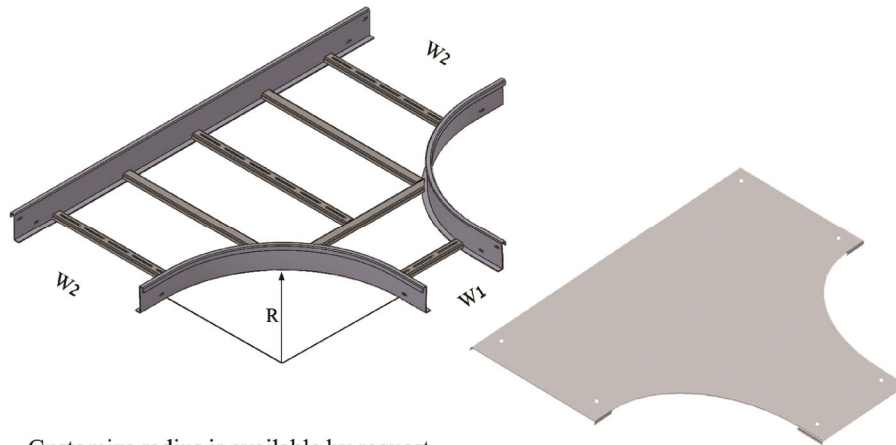
Customize radius is available by request
Width apply to horizontal bend model [mm]

T Branch

Ladder: Din 17100 ST37.2

Model	R _{mm}	Price ₪
TD - 200	300	245
TD - 300	300	260
TD - 400	300	272
TD - 500	300	305
TD - 600	300	317
TD - 700	300	346

Galvanized 2mm



Cover: EN-10346 G-275

Model	Price ₪
CTD - 200	242
CTD - 300	261
CTD - 400	281
CTD - 500	298
CTD - 600	315
CTD - 700	340

Galvanized 1.2mm

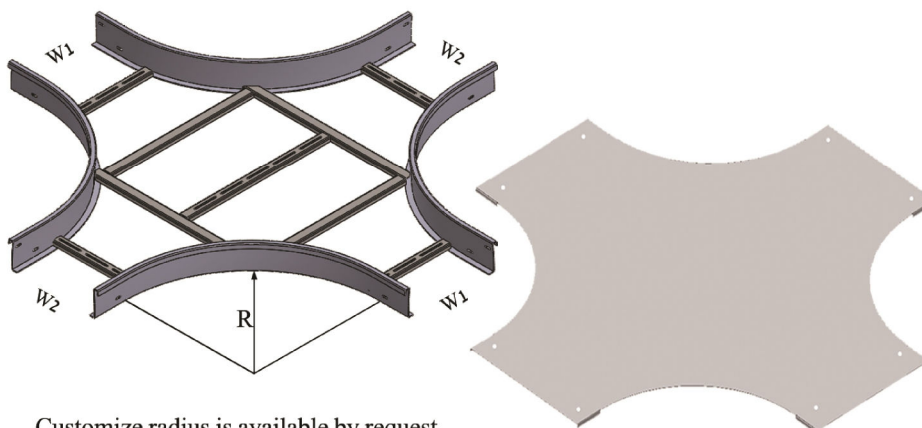
Customize radius is available by request
Specify W1 & W2 measurements [mm]

Cross Over X

Ladder: Din 17100 ST37.2

Model	R _{mm}	Price ₪
XD - 200	300	363
XD - 300	300	381
XD - 400	300	400
XD - 500	300	457
XD - 600	300	472
XD - 700	300	492

Galvanized 2mm



Cover: EN-10346 G-275

Model	Price ₪
CXD - 200	338
CXD - 300	365
CXD - 400	393
CXD - 500	408
CXD - 600	441
CXD - 700	465

Galvanized 1.2mm

Customize radius is available by request
Specify W1 & W2 measurements [mm]



☎ 04-8411142, 04-8414834

☎ 04-8414528

🌐 www.naor.co.il

✉ naor_ltd@netvision.net.il

Copyright © all rights reserved Naor L.T.D

- 25 -

